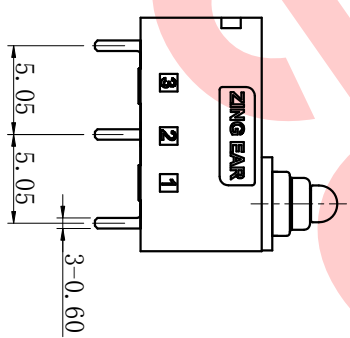
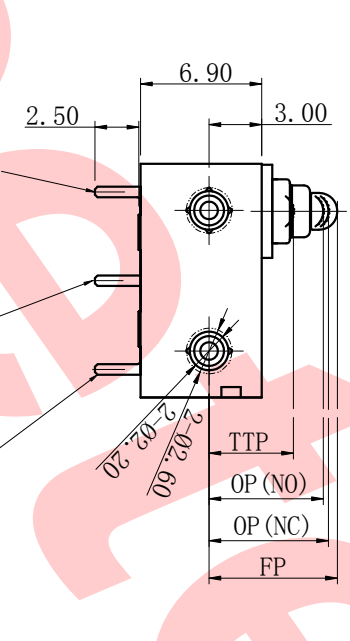
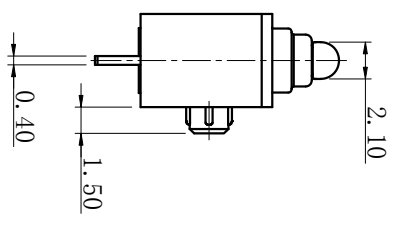


Printing :

e.g: June 2, 2016  
160602



CHARACTERISTICS

ELECTRICAL DATA

Operating Force:	150gf Max.
Release Force:	30gf Min.
Free Position:	7.60mm Max.
Operation Position (NC) :	6.80 ± 0.30mm
Operation Position (NO) :	6.50 ± 0.30mm
Movement-Differential:	0.30mm Max.
Total Travel Position:	5.30mm Max.

CONTACT ARRANGEMENT	SWITCH SEALING
S.P.D. T	IP67
Ratings	
12V DC	0.1A
5V DC	50 μA

REV	REF	DESCRIPTION	DWN. BY	DATE
	G304 SERIES MICRO SWITCH			
	<b>G304-150P00D366</b>			
	<b>G304-150P00D366</b>			
	<b>G304-150P00D366</b>			
TOLERANCES UNLESS OTHERWISE STATED				
	DIMENSION	ANGLE	SCALE	
	±0.40	±2°	1:1	
			UNIT	mm

HUIZHOU GRETECH ELECTRONICS CO., LTD.

1 2 3 4 5 6 7 8 9 10